



2051 Saturn Street
Monterey Park, CA 91755
323.728.7266
323.728.5304 Fax
<http://www.tmcpower.com>

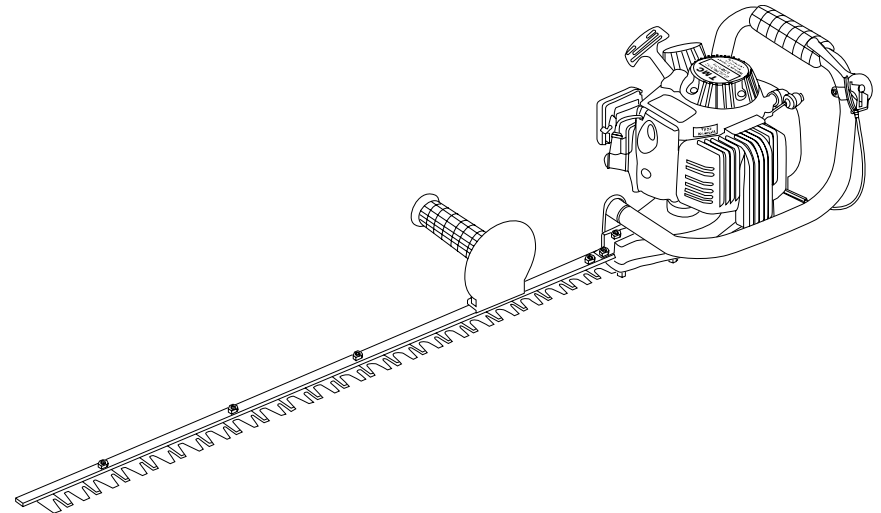
PARTS CATALOG

PHT3550Z HEDGE TRIMMER

ENGINE REFERENCE:

TF022D-AF73

TF022D-BF73



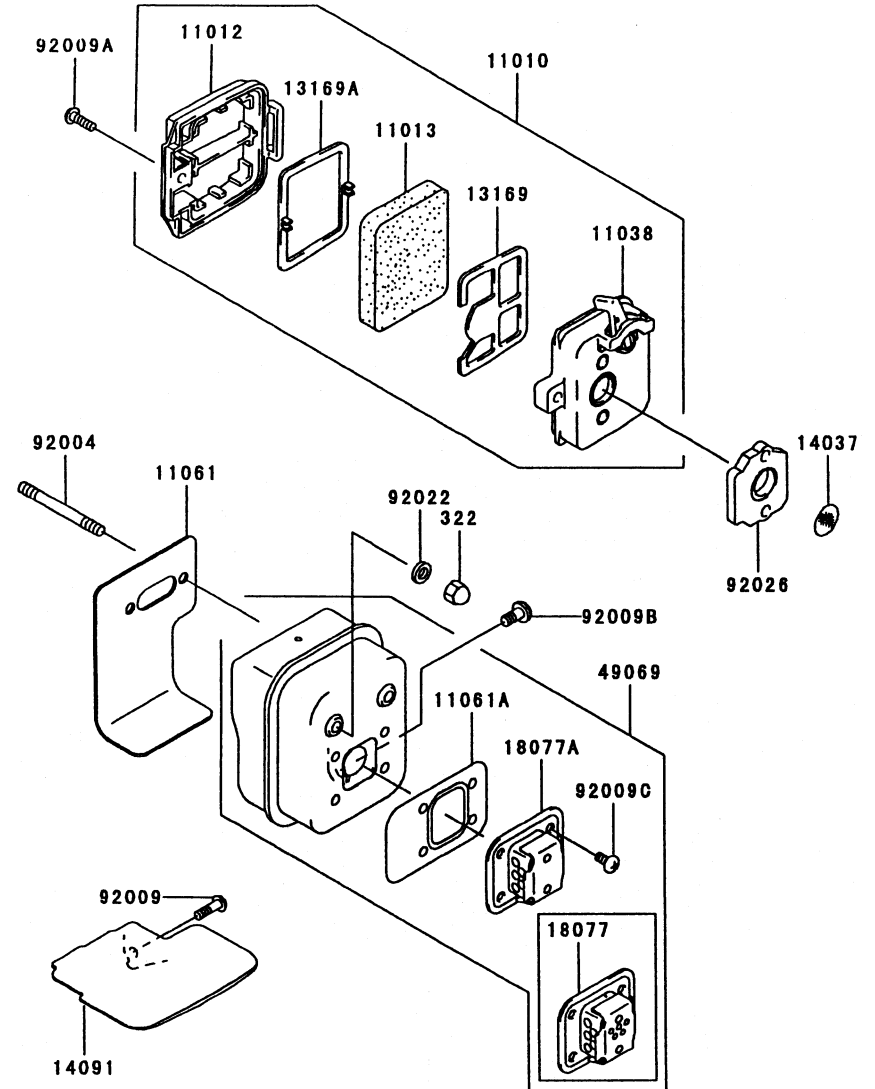
REV 060316B

PHT3550Z

TF022D-AF73
-BF73

AIR FILTER/MUFFLER

REF NO	PART NO	DESCRIPTION	QTY	NOTES
11010	TF22130	AIR FILTER ASSY	1	
11012	TF22155	CAP-AIR FILTER	1	
11013	TF22131	ELEMENT	1	
11038	TF22132	CASE-AIR FILTER	1	
11061	TF22165	GASKET-MUFFLER	1	
11061A	TF22166	GASKET	1	
13169	TF22133	PLATE	1	
13169A	TF22056	PLATE	1	
14037	TF22057	SCREEN	1	
14091	TF22167	COVER	1	
18077/A	TF22168	ARRESTER-SPARK	1	
322	CN005	NUT 5MM	2	
49069	TF22169	MUFFLER ASSY	1	
92004	TF22170	STUD 5X65	2	
92009	TF22017	SCREW	1	
92009A	TF22135	SCREW	1	
92009B	TG25014	SCREW 5X10	1	
92009C	TE56091	SCREW	4	
92022	TF22065	WASHER	2	
92026	TF22067	SPACER	1	

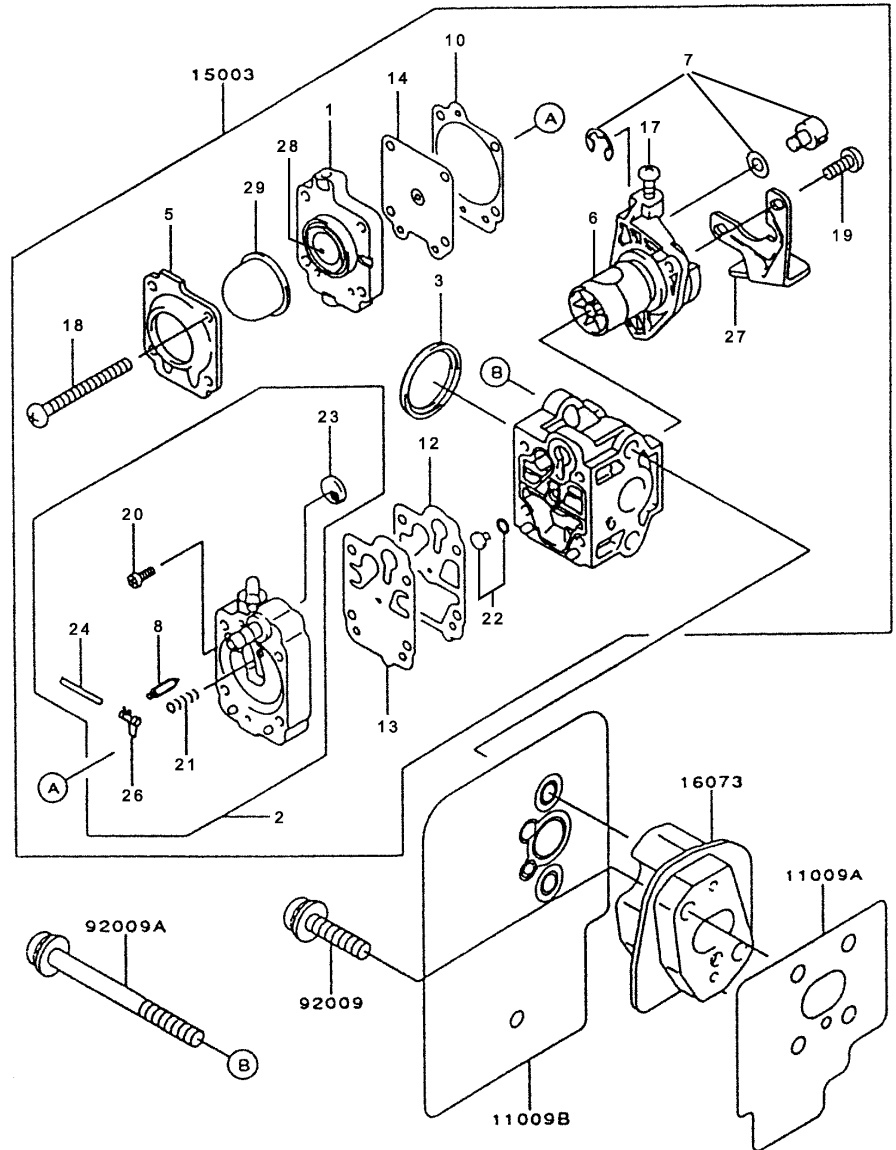


PHT3550Z

TF022D-AF73
-BF73

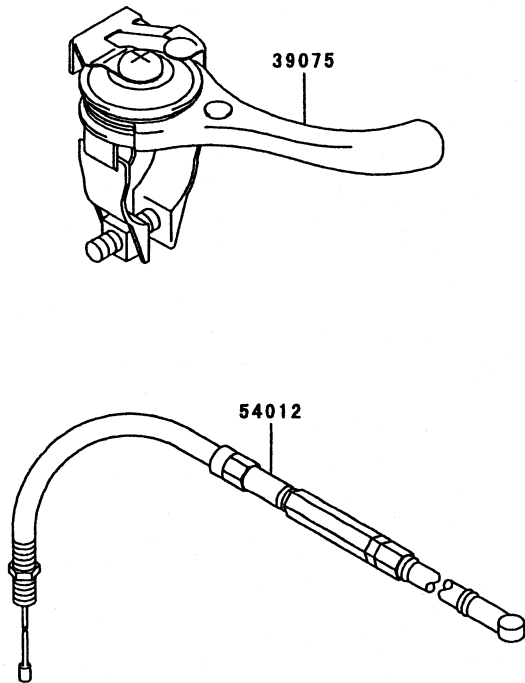
CARBURETOR

REF NO	PART NO	DESCRIPTION	QTY	NOTES
001	TF22C01	BODY ASSY-AIR PURGE	1	
002	TF22C02	BODY ASSY-PUMP	1	
003	TF22C03	RING-PACKING	1	
005	TF22C05	COVER-PRIMER PUMP	1	
006	TF22C06	VALVE ASSY-THROTTLE	1	
007	TF22C07	SWIVEL ASSY	1	
008	TF22C08	VALVE-INLET NEEDLE	1	
010	TF22C10	GASKET-METERING DIAPHRAGM	1	
012	TF22C12	GASKET-PUMP	1	
013	TF22C13	DIAPHRAGM-PUMP	1	
014	TF22C14	DIAPHRAGM ASSY-METERING	1	
017	TF22C17	SCREW-IDLE ADJUST	1	
018	TF22C18	SCREW-COVER	4	
019	TF22C19	SCREW-COLLAR THROTTLE	2	
020	TF22C20	SCREW-METERING LEVER PIN	1	
021	TF22C21	SPRING-METERING LEVER	1	
022	TF22C22Z	JET-MAIN KIT	1	
023	TF22C23	SCREEN-FUEL INLET	1	
024	TF22C24	PIN-METERING LEVER	1	
026	TF22C26	LEVER-METERING	1	
027	TF22C27	BRACKET-CABLE	1	
028	TF22C28	VALVE-CHECK	1	
029	TF22C29	PRIMER-BULB	1	
11009A	TF22032-02	GASKET	1	
11009B	TF22140-02	GASKET	1	
15003	TF22C00-Z	CARBURETOR ASSY	1	
16073	TF22139	INSULATOR	1	
92009	TG25027-07	SCREW 5X20	2	
92009A	TF22146	SCREW	2	
CRK	TF22XW-CRK	CARBURETOR KIT	1	
GDK	TF22-GDK	GASKET/DIAPHRAGM KIT	1	



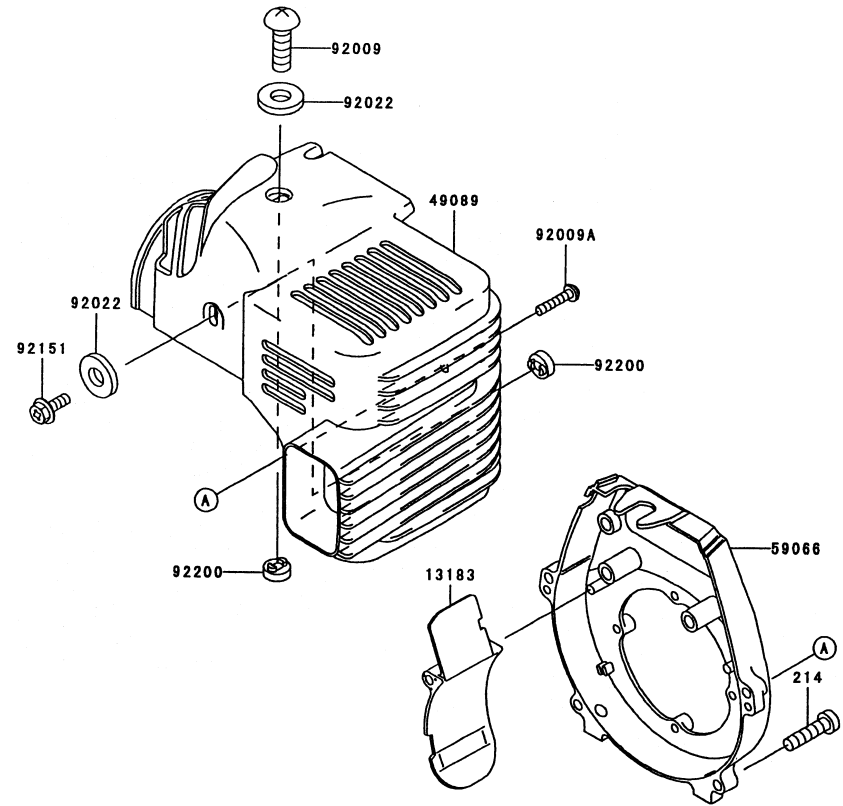
PHT3550Z

TF022D-AF73
-BF73



CONTROL EQUIPMENT

REF NO	PART NO	DESCRIPTION	QTY	NOTES
39075	KT125852A-HT	LEVER-THROTTLE (METAL)	1	
54012	TF22162	CABLE-THROTTLE	1	

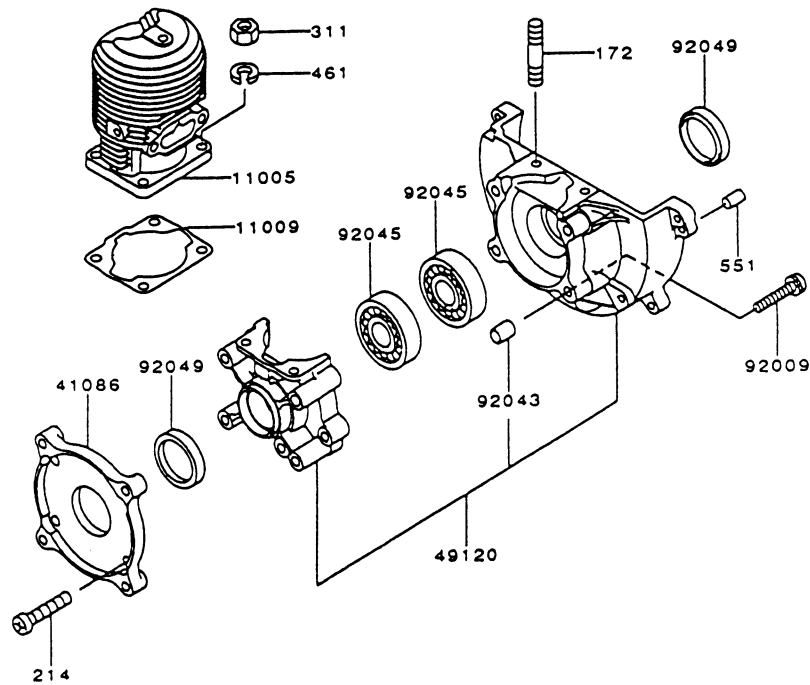


COOLING EQUIPMENT

REF NO	PART NO	DESCRIPTION	QTY	NOTES
13183	TF22084	PLATE	1	
214	214B0416	SCREW 4X16	3	
49089	TF22159	SHROUD-ENGINE	1	
59066	TF22023	HOUSING-FAN	1	
92009	TF22017	SCREW	1	
92009A	TF22160	SCREW 4X20	1	
92022	TF22025	WASHER	2	
92151	TF22161	BOLT 4X12	1	
92200	TF22026	WASHER	2	

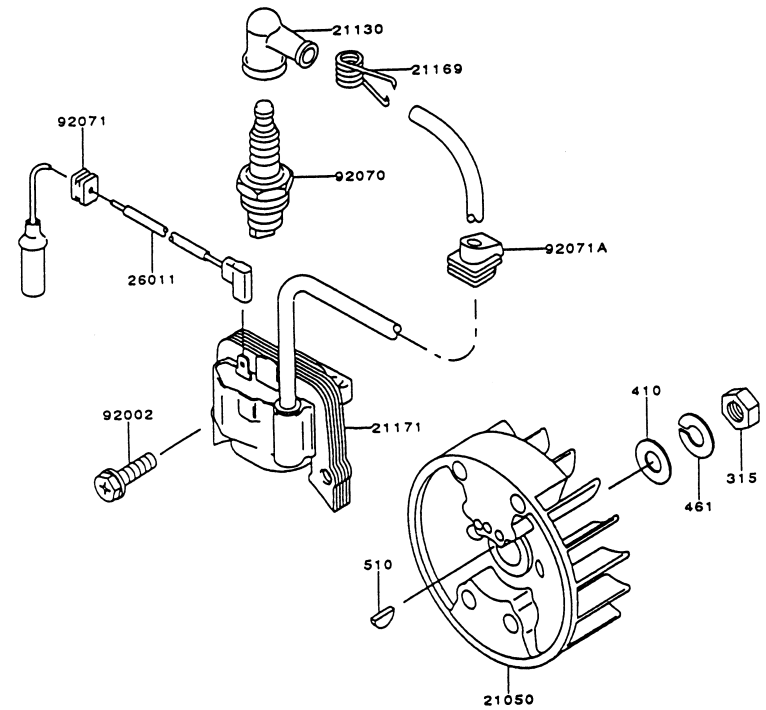
PHT3550Z

TF022D-AF73
-BF73



CYLINDER/CRANKCASE

REF NO	PART NO	DESCRIPTION	QTY	NOTES
11005	TF22157	CYLINDER-ENGINE	1	
11009	KT125802	GASKET	1	
172	172G0514	STUD 5X14	4	
214	214B0514	SCREW 5X14	4	
311	311B0500	NUT 5MM	4	
41086	TF22003	FLANGE	1	
461	SW005	WASHER-SPRING 5MM	4	
49120	TF22158	CRANKCASE-COMP	1	
551	KT125808	PIN-DOWEL	2	
92009	TD24030	SCREW 5X30	4	
92043	TF22006	PIN	2	
92045	KT12036	BEARING (6001V3)	2	
92049	TA22025	SEAL-OIL	2	



ELECTRIC EQUIPMENT

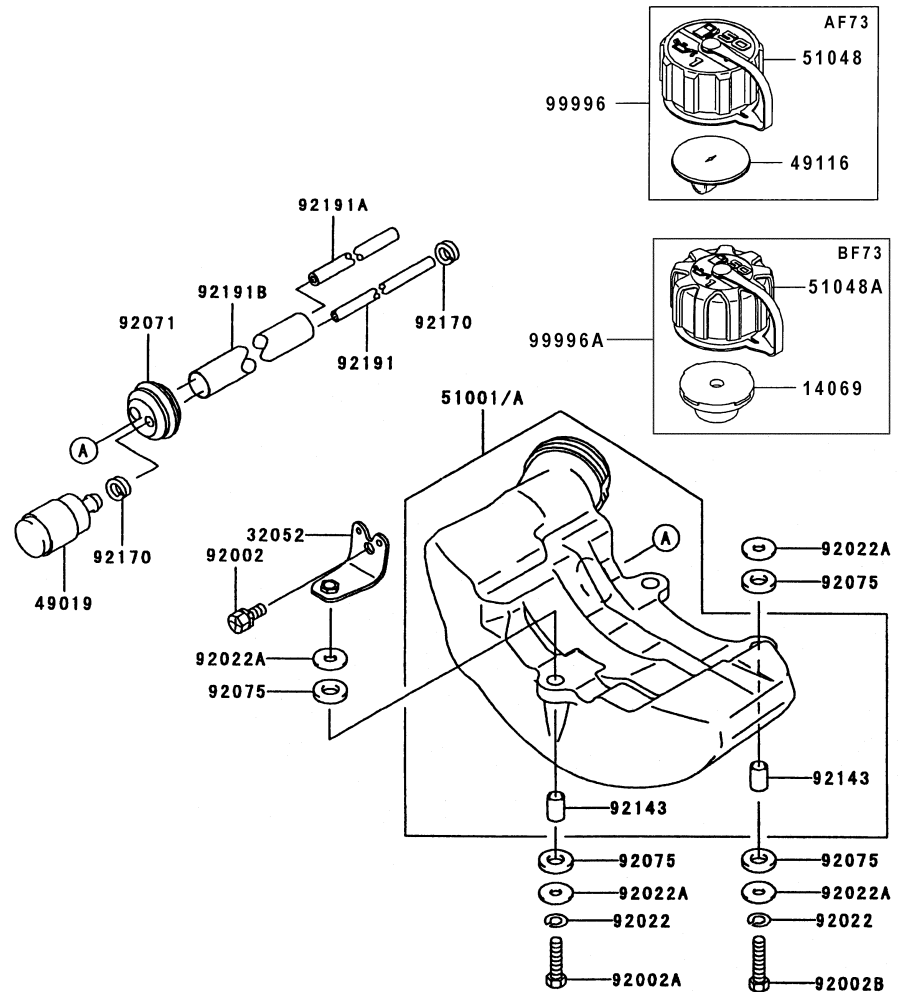
REF NO	PART NO	DESCRIPTION	QTY	NOTES
21050	TF22029	FLYWHEEL	1	
21130/21169	KT12048	PLUG CAP ASSY	1	
21171	TF22117	COIL ASSY-IGNITION	1	
26011	TF22118	WIRE-LEAD	1	
315	315B0800	NUT 8MM	1	
410	410B0800	WASHER 8MM	1	
461	461F0800	WASHER-SPRING 8MM	1	
510	KT12025	KEY	1	
92002	TF22071	BOLT 4X20	2	
92070	BMR7A	SPARK PLUG-NGK	1	
92071	TD33089	GROMMET	1	
92071A	TF22068	GROMMET	1	

PHT3550Z

TF022D-AF73
-BF73

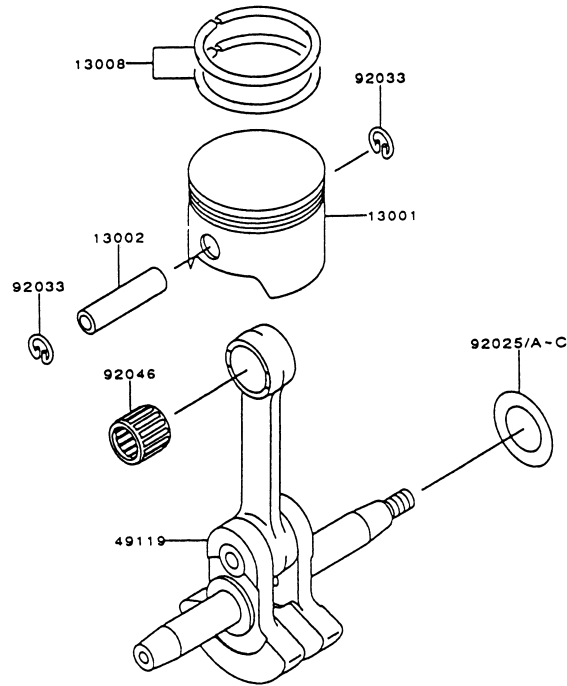
FUEL TANK/FUEL VALVE

REF NO	PART NO	DESCRIPTION	QTY	NOTES
14069	TH34065	BREATHER	1	BF73
32052	TF22063	BRACKET-TANK	1	
49019	TF22C30X	FILTER-FUEL	1	
49116	KT125819	BREATHER	1	AF73
51001A	TF22171	TANK-FUEL	1	
51048	TG34040	CAP ASSY-TANK	1	AF73
51048A	TH34064	CAP ASSY-TANK	1	BF73
92002	TF22064	BOLT	1	
92002A	TF22042	SCREW 5X20	1	
92002B	TF22043	BOLT	2	
92022	TF22044	WASHER	3	
92022A	TF22045	WASHER	6	
92071	TG34042	GROMMET-FUEL TANK	1	
92075	TF22046	DAMPER	6	
92143	TF22039	COLLAR	3	
92170	TG34043	CLAMP-FUEL FILTER	2	
92191	TF22127	TUBE (INNER)	1	
92191A	TF22128	TUBE 3x6x250	1	
92191B	TF22172	TUBE 12X13X130	1	
99996	99996-6060	KIT-CAP ASSY	1	AF73
99996A	99996-6085	KIT-CAP ASSY	1	BF73



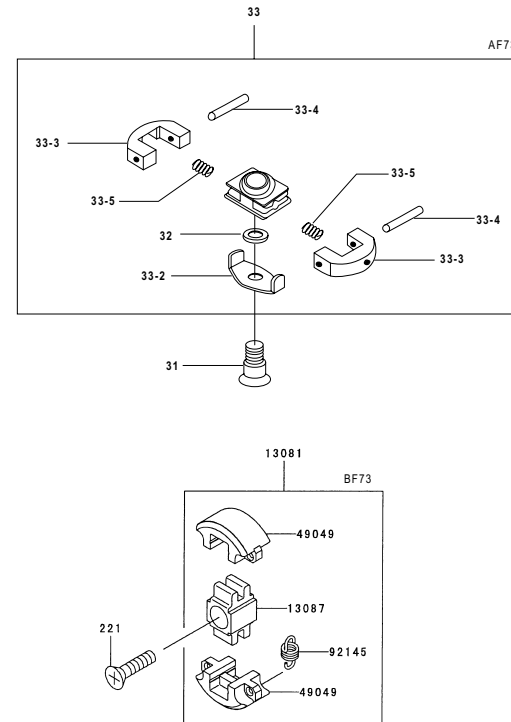
PHT3550Z

TF022D-AF73
-BF73



PISTON/CRANKSHAFT

REF NO	PART NO	DESCRIPTION	QTY	NOTES
13001	KT12018	PISTON	1	
13002	KT12020	PIN-PISTON	1	
13008	KT12019	PISTON RING SET	1	
49119	KT12055	CRANKSHAFT ASSY	1	
92025/A/B/C	KT12024	SHIM A/B/C/D	AR	
92033	TH23056	RING-SNAP	2	
92046	KT12056A	BEARING-NEEDLE	1	



PTO EQUIPMENT

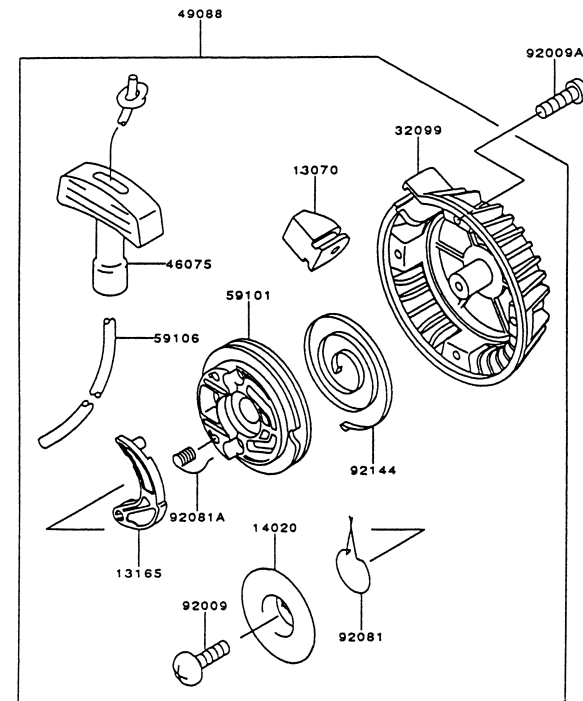
REF NO	PART NO	DESCRIPTION	QTY	NOTES
13081	TF22174	CLUTCH-ASSY	1	BF73
13087	TF22174-3	HUB-CLUTCH	1	BF73
221	TF22173	SCREW-CLUTCH	1	BF73
31	P35031	SCREW-CLUTCH	1	AF73
32	SFW006	WASHER 6MM	1	AF73
33	P35033	CLUTCH ASSY	1	AF73
33-1	P35033-01	BOSS-CLUTCH	1	AF73
33-2	P35033-02	PLATE-CLUTCH	1	AF73
33-3	P35033-03	SHOE-CLUTCH	2	AF73
33-4	P35033-04	PIN-CLUTCH	2	AF73
33-5	P35033-05	SPRING-CLUTCH	2	AF73
49049	TF22174-1	SHOE-CLUTCH	2	BF73
92145	TF22174-2	SPRING-CLUTCH	2	BF73

PHT3550Z

TF022D-AF73
-BF73

STARTER

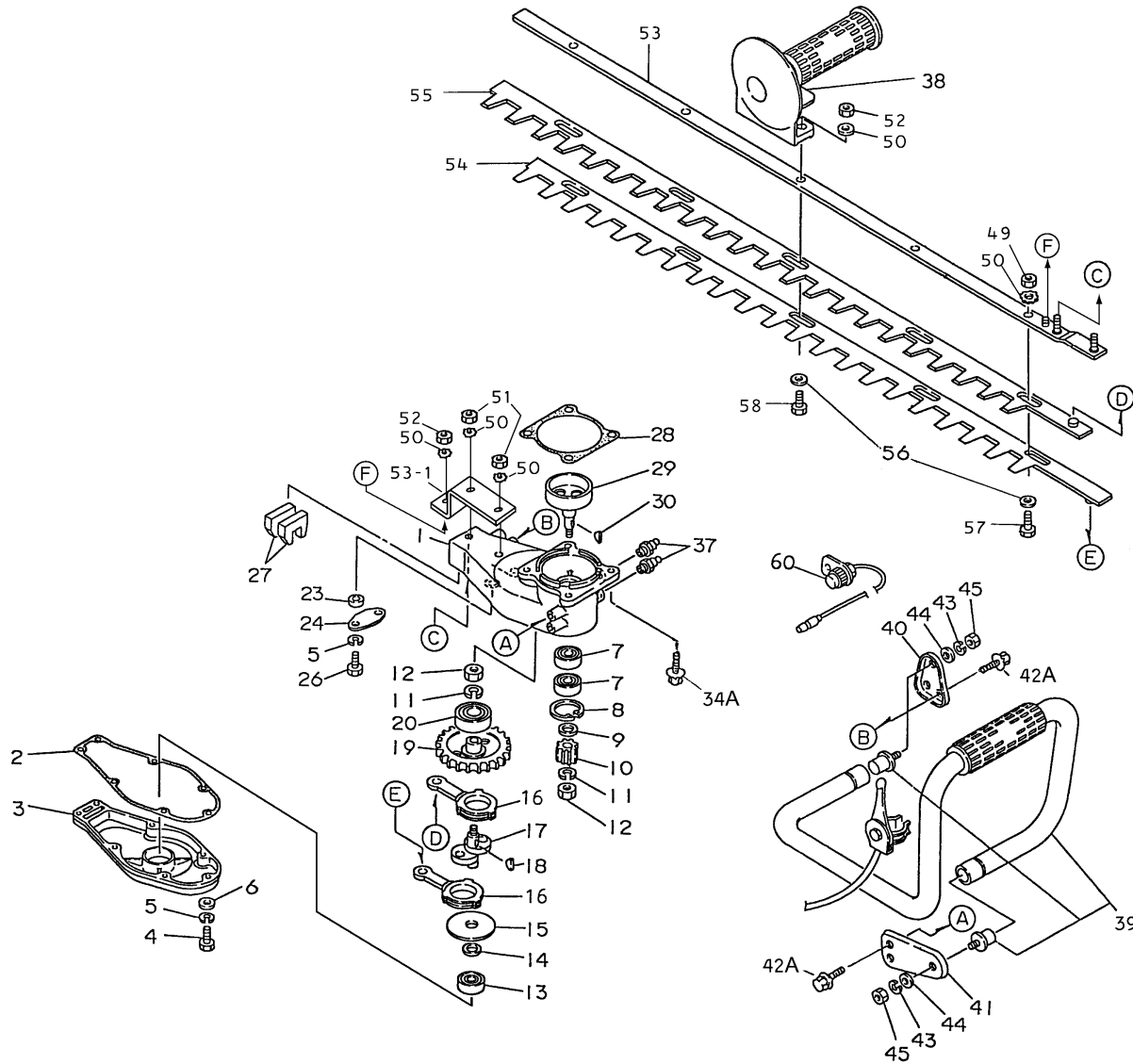
REF NO	PART NO	DESCRIPTION	QTY	NOTES
13070	TF22080-10	GUIDE	1	
13165	KT12R03A	PAWL	1	
14020	TD33032-02	RETAINER	1	
32099	TF22080-11	CASE-RECOIL	1	
46075	KT12R09A	HANDLE	1	
49088	TF22080	RECOIL ASSY	1	
59101	KT12R06A	REEL	1	
59106	TF22080-08	ROPE 3.5X890	1	
92009	TE56068-01	SCREW-SPECIAL	1	
92009A	TF22081	SCREW	4	
92081	KT12R04A	SPRING	1	
92081A	KT12R05A	SPRING-RETURN	1	
92144	TF22080-07	SPRING-RECOIL	1	



PHT3550Z

BODY

TF022D-AF73
-BF73



PHT3550Z

TF022D-AF73
-BF73

BODY

REF NO	PART NO	DESCRIPTION	QTY	NOTES
01	P35001	GEAR CASE	1	
02	P35002	PACKING-GEAR CASE	1	
03	P35003	COVER-GEAR CASE	1	
04	B05X22	BOLT 5X22	7	
05	SW005	WASHER-SPRING 5MM	9	
06	SFW005	WASHER 5MM	7	
07	P35007	BEARING (6001ZZ)	2	
08	P35008	RING-SNAP #28	1	
09	P35009	WASHER-PINION	1	
10	P35010	PINION	1	
11	SW008	WASHER-SPRING 8MM	2	
12	HN008	NUT 8MM	1	
13	PW23037	BEARING (6000)	1	
14	P35014	WASHER-BEARING	1	
15	P35015	SPACER-DISC	1	
16	P35016B	CAM ROD	2	
17	P35017	CAM BOSS	1	
18	P35018	KEY	1	
19	P35019	GEAR-REDUCTION	1	
20	P35020	BEARING (6003)	1	
23	P35023	COLLAR	2	
24	P35024	PLATE	1	
26	B05X14	BOLT 5X14	2	
27	P35027	SEAL-GREASE A	2	
28	P35028	PACKING-CLUTCH CASE	1	
29	P35029A	DRUM-CLUTCH (NEW)	1	

BODY

REF NO	PART NO	DESCRIPTION	QTY	NOTES
30	P35030	KEY	1	
34A	B05X14W	BOLT W/WASHERS 5X14	4	
37	P35037	NIPPLE-GREASE	2	
37A	P35035	PLUG-ZIRK FITTING		
38	P35038	HANDLE-RIGHT	1	
39	P35039A	HANDLE-LEFT	1	
40	P35040	BRACKET-HANDLE FRONT	1	
41	P35041	BRACKET-HANDLE REAR	1	
42A	B06X14W	BOLT W/WASHER 6X14	4	
43	SW006	WASHER-SPRING 6MM	6	
44	FW006	WASHER 6MM	6	
45	311B0600	NUT 6MM	2	
49	P25051	NUT-JAM 1/4X28	4	
50	P25046	WASHER-SHOCKPROOF	9	
51	P25045	NUT 1/4X20	2	
52	P25054	NUT-CROWN 1/4X28	3	
53	P35053A	BACK UP BAR	1	
53-1	P35053A-1	SUPPORT-BACK UP BAR	1	
54	PHT-234	BLADE-LOWER	1	
55	PHT-235	BLADE-UPPER	1	
56	P25049	WASHER-BLADE (BLACK)	5	
57	P25048	BOLT-BLADE SHORT	4	
58	P25053B	BOLT-LONG (FULL THREAD)	1	
60	P35054	STOP BUTTON W/BRACKET	1	
CVR	PHT-250	COVER-BLADE	1	