



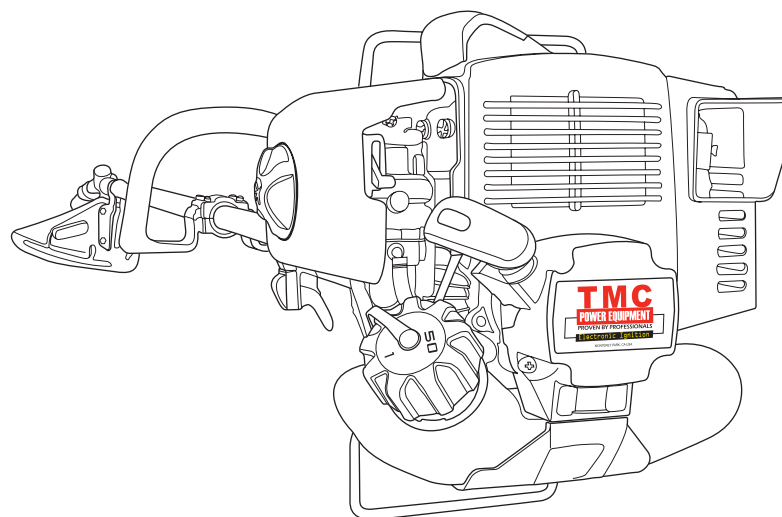
2051 Saturn Street
Monterey Park, CA 91755
323.728.7266
323.728.5304 Fax
<http://www.tmcpower.com>

PARTS CATALOG

KPW3650V/KPW3650V-50/KPW3650V/KPW3650V-50-50 LINE TRIMMER/WEEDER & BRUSH CUTTER

ENGINE REFERENCE:

TJ035E-AF70
TJ035E-BF70
TJ035E-KF70
TJ035E-LF70
TJ035E-AF71



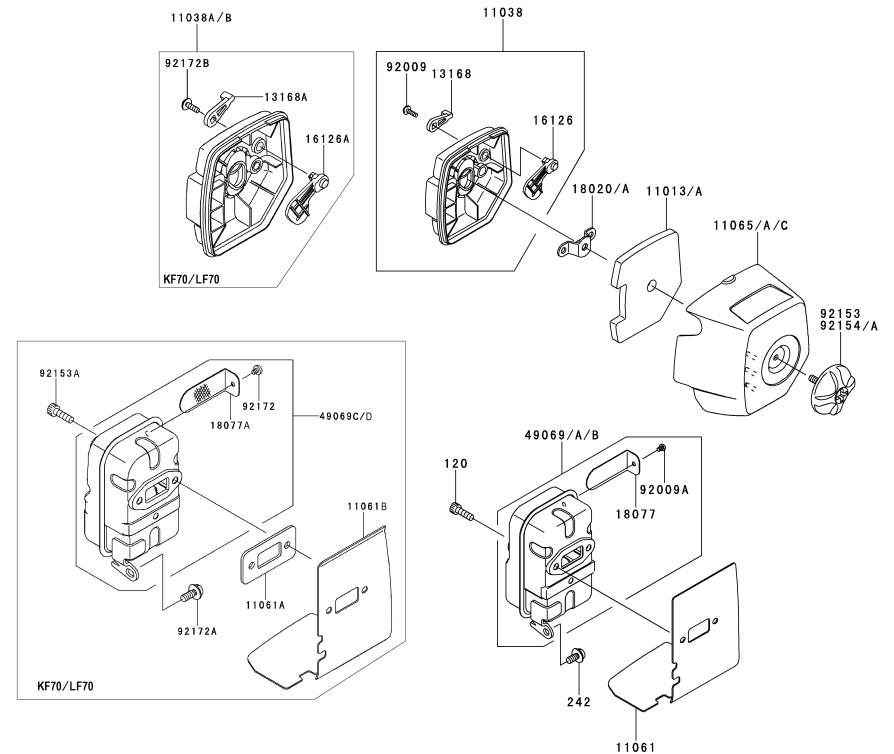
REV 200817

KPW3650V/KPW3650V-50

TJ035E-AF70, -BF70, -KF70, -LF70, -AF71

AIR FILTER/MUFFLER

REF NO	PART NUMBER	DESCRIPTION	BF70	CF70	KF70	LF70	AF71
11013	TJ35021	*USE TJ35076*	*	*			*
11013A	TJ35076	ELEMENT-AIR FILTER	1	1	1	1	1
11038	TJ35022	CASE-ASSY-AIR FILTER	1	1			1
11038A	TJ35077	CASE-ASSY-AIR FILTER			1		
11038B	TJ35077A	CASE-ASSY-AIR FILTER			1	1	
11061	TJ35023	GASKET-MUFFLER	1	1			1
11061A	TJ35079	GASKET			1	1	
11061B	TJ35078	GASKET			1	1	
11065	TJ35024	*USE TJ35024A*	*				*
11065A	TJ35024A	CAP		*	*	*	
11065C	TJ35080	CAP	1	1	1	1	1
120	120CB0516	BOLT-SOCKET 5X16	2	2			2
13168	TJ27032-1	*USE TJ27103-1*	*	*			*
13168A	TJ27103-1	LEVER	1	1	1	1	1
16126	TJ35025	VALVE	1	1			1
16126A	TJ35077-2	VALVE			1	1	
18020	TJ27035	BAFFLE	1	1			1
18020A	TJ27105	BAFFLE			1	1	
18077	TJ35026	ARRESTER-SPARK	1	1			1
18077A	TJ35081	ARRESTER SPARK			1	1	
242	242AA0512	SCRW-PAN-WSP+-.5X12	1	1			1
49069A	TJ35043	MUFFLER-ASSY	1	1			1
49069B	TJ35027	MUFFLER-ASSY	*	*			*
49069C	TJ35082	MUFFLER ASSY			1		
49069D	TJ35100	MUFFLER-ASSY				1	
92009	TH23031-03	SCREW 3X10	1	1			1
92009A	TH23042	SCREW	1	1			1
92153	TJ27038	*USE TJ27038A*	*	*			*
92153A	TJ27087	BOLT,SOCKET,5X16			2	2	
92154	TJ27102	*USE TJ27038*			*		
92154A	TJ27038A	BOLT-AIR CLEANER	1	1	1	1	1
92172	TJ27088	SCREW			1	1	
92172A	TJ35083	SCREW,5X14			1	1	
92172B	TJ27106	SCREW,3X10			1	1	

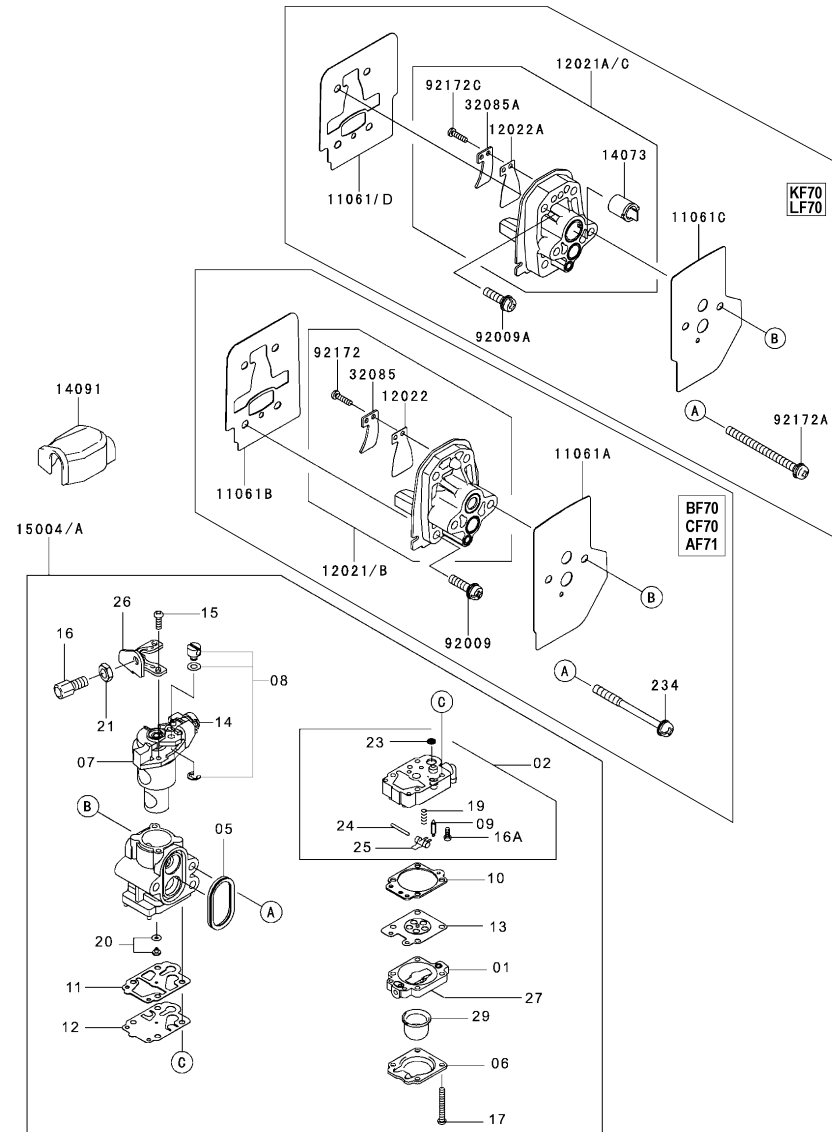


KPW3650V/KPW3650V-50

TJ035E-AF70, -BF70, -KF70, -LF70, -AF71

CARBURETOR

REF NO	PART NUMBER	DESCRIPTION	BF70	CF70	KF70	LF70	AF71
001	TF22C01	BODY ASSY-AIR PURGE	1	1	1	1	1
002	TH26C02Z	BODY ASSY-PUMP	1	1	1	1	1
002	TJ27C02V	* USE TH26C02Z *	*	*			*
004	TEX54DC04XA	O-RING	1	1	1	1	1
005	TH26C05Z	O-RING	1	1	1	1	1
006	TF22C05	COVER-PRIMER PUMP	1	1	1	1	1
007	TJ35C07V	VALVE ASSY-THROTTLE	1	1	1	1	1
008	TF22C07	SWIVEL ASSY	1	1	1	1	1
009	TF22C08	VALVE-INLET NEEDLE	1	1	1	1	1
010	TF22C10	GASKET-METERING DIAPHRAGM	1	1	1	1	1
011	TEX54C11XA	GASKET-PUMP	1	1	1	1	1
012	TF22C13	DIAPHRAGM-PUMP	1	1	1	1	1
013	TJ27C13V	DIAPHRAGM ASSY-METERING	1	1	1	1	1
014	TJ45C13V	SCREW-IDLE ADJUST	1	1	1	1	1
015	TF22C19	SCREW-COLLAR THROTTLE	2	2	2	2	2
016	TH26C16Z	SCREW-CABLE ADJUST	1	1	1	1	1
016a	TF22C20	SCREW-METERING LEVER PIN	1	1	1	1	1
017	TF22C18	SCREW-COVER	4	4	4	4	4
019	TF22C21	SPRING-METERING LEVER	1	1	1	1	1
020	TF22C22Z	JET-MAIN KIT	1	1	1	1	1
021	TEX54C21XA	NUT-CABLE ADJUST	1	1	1	1	1
023	TF22C23	SCREEN-FUEL INLET	1	1	1	1	1
024	TF22C24	PIN-METERING LEVER	1	1	1	1	1
025	TF22C26	LEVER-METERING	1	1	1	1	1
026	TF22C27	BRACKET-CABLE	1	1	1	1	1
027	TF22C28	VALVE-CHECK	1	1	1	1	1
028	TF22C29	PRIMER-BULB	1	1	1	1	1
11061	TJ35072	*USE TJ35033A*			*		
11061A	TJ35032	*USE TJ35073*	*	*			*
11061C	TJ35073	GASKET	1	1	1	1	1
11061D	TJ35033A	GASKET-CARBURETOR-INSULATOR	1	1	1	1	1
12021	TJ35034	*USE TJ35034A*	*	*			*
12021A	TJ35074	VALVE-ASSY REED			*		
12021B	TJ35034A	VALVE-ASSY REED & SCREW	1	1			1
12021C	TJ35074A	VALVE-ASSY-REED			1	1	

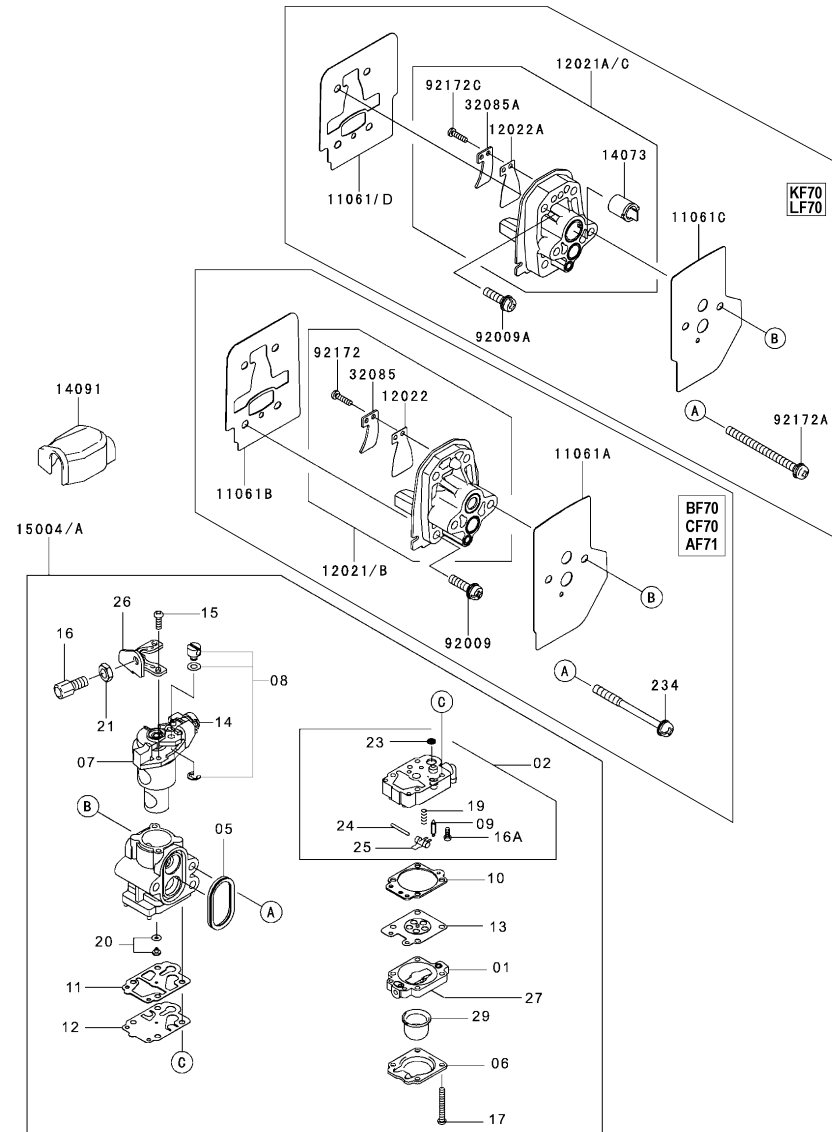


KPW3650V/KPW3650V-50

CARBURETOR

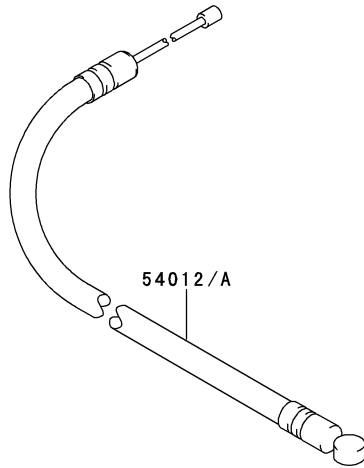
REF NO	PART NUMBER	DESCRIPTION	BF70	CF70	KF70	LF70	AF71
12022	TJ27028	VALVE-REED	1	1		1	1
12022A	TJ27111	VALVE-REED			1		
14073	TJ27132	DUCT			1	1	
14091	THCVR	DUST COVER	1	1	1	1	1
15004	TJ35C00-V	CARBURETOR ASSY	1	1			1
15004A	TJ35C00-VK	CARBURETOR ASSY			1	1	
234	234AA0560	SCREW-PAN-WSP +- 5X60	2	2			2
32085	TJ27029	STOPPER	1	1			1
32085A	TJ27112	STOPPER			1	1	
92009	TG25027-07	SCREW 5X20	4	4			4
92009A	TF22037	SCREW 5X25			4	4	
92172	TK65032	SCREW-3X12	1	1			1
92172A	TJ35075	SCREW,5X60			2	2	
92172C	TJ27113	SCREW,3X12			1	1	
CRK	TJ27V-CRK	CRK					

TJ035E-AF70, -BF70, -KF70, -LF70, -AF71



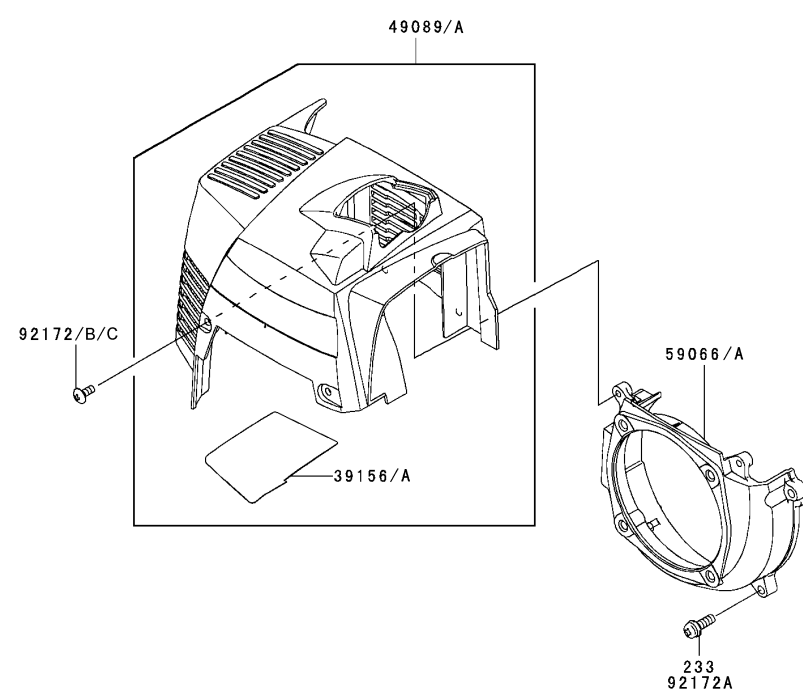
KPW3650V/KPW3650V-50

TJ035E-AF70, -BF70, -KF70, -LF70, -AF71



CONTROL EQUIPMENT

REF NO	PART NUMBER	DESCRIPTION	BF70	CF70	KF70	LF70	AF71
54012	TG28017	CABLE-THROTTLE	1	1			
54012A	TJ35071	CABLE-THROTTLE			1	1	



COOLING EQUIPMENT

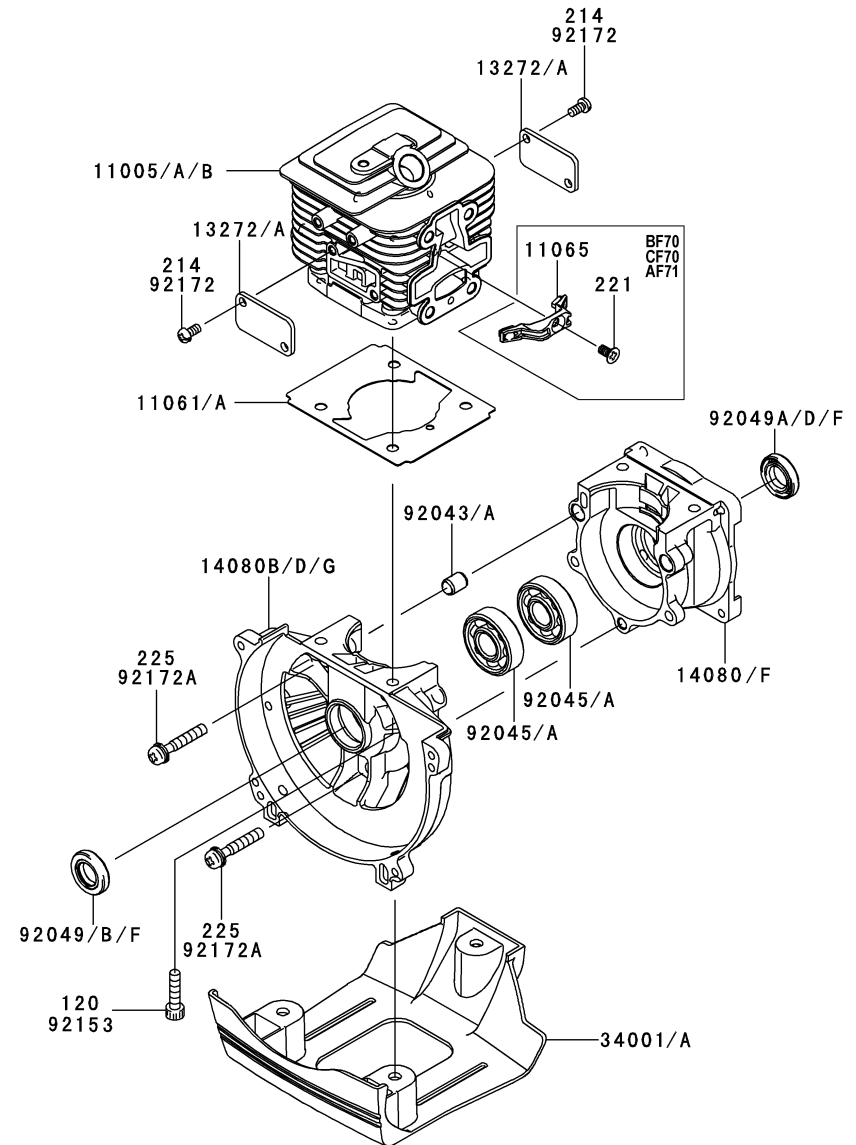
REF NO	PART NUMBER	DESCRIPTION	BF70	CF70	KF70	LF70	AF71
233	233AA0516	SCREW-PAN-WP+- 5X16	4	4			4
39156	TJ35013	PAD,SHROUD	1	1			1
39156A	TJ35064	PAD			1	1	
49089	TJ35014	SHROUD-ENGINE	*	*			*
49089A	TJ35065	SHROUD-ENGINE	1	1	1	1	1
59066A	TJ35066	HOUSING-FAN			1	1	
92172	TF22016	*USE TJ27017*			*		
92172A	TJ27121	SCREW,5X16			4	4	
92172B	TJ27017	SCREW 4X10	2	2	2		2
92172C	TJ23307	SCREW,4X10				2	

KPW3650V/KPW3650V-50

TJ035E-AF70, -BF70, -KF70, -LF70, -AF71

CYLINDER/CRANKCASE

REF NO	PART NUMBER	DESCRIPTION	BF70	CF70	KF70	LF70	AF71
11005	TJ35001	CYLINDER-ENGINE	*	*			*
11005A	TJ35001A	CYLINDER-ENGINE	1	1			
11005B	TJ35050	CYLINDER-ENGINE			1	1	
11061	TJ35002	* USE TJ35051 *	*	*			*
11061A	TJ35051	GASKET	1	1	1	1	1
11065	TJ35003	CAP	1	1			1
120	120CB0520	BOLT-SOCKET 5X20	4	4			4
13272	TJ35004	PLATE	2	2			2
13272A	TJ35052	PLATE			2	2	
14080	TJ35006	*USE TJ35053*	*	*			*
14080B	TJ35005	CRANKCASE	*				*
14080D	TJ35040	CRANKCASE	1	1			1
14080F	TJ35053	CRANKCASE			1	1	
14080G	TJ35054A	CRANKCASE			1	1	
214	214AA0408	SCREW-PAN+- 4X8	4	4			4
221	221AA0408	SCREW-CSK-CROSS,4X8	1	1			1
225	225AA0530	SCREW-PAN-WSP-CROS 5X30	3	3			3
34001	TJ35007	STAND	1	1			1
34001A	TJ35055	STAND			1	1	
92043	TF22006	PIN	2	2			2
92043A	TJ27128	PIN			2	2	
92045	BB6201	BEARING-BALL 6201	2	2			2
92045A	TJ35056	BEARING-BALL,6201/P63Z2			2	2	
92049	TJ27008	*USE TJ35042*	*				*
92049A	TJ27009	*USE TJ35042*	*				*
92049B	TJ35041	SEAL-OIL,SD12X22X4.5GS	1	1			1
92049D	TJ35042	SEAL-OIL,SD12X22X4.5VS	1	1			1
92049F	TJ27058	SEAL-OIL,12X22X4.5			2	2	
92153	TJ27059	BOLT,SOCKET,5X20			4	4	
92172	TJ27060	SCREW,4X8			4	4	
92172A	TJ27061	SCREW,5X30			3	3	

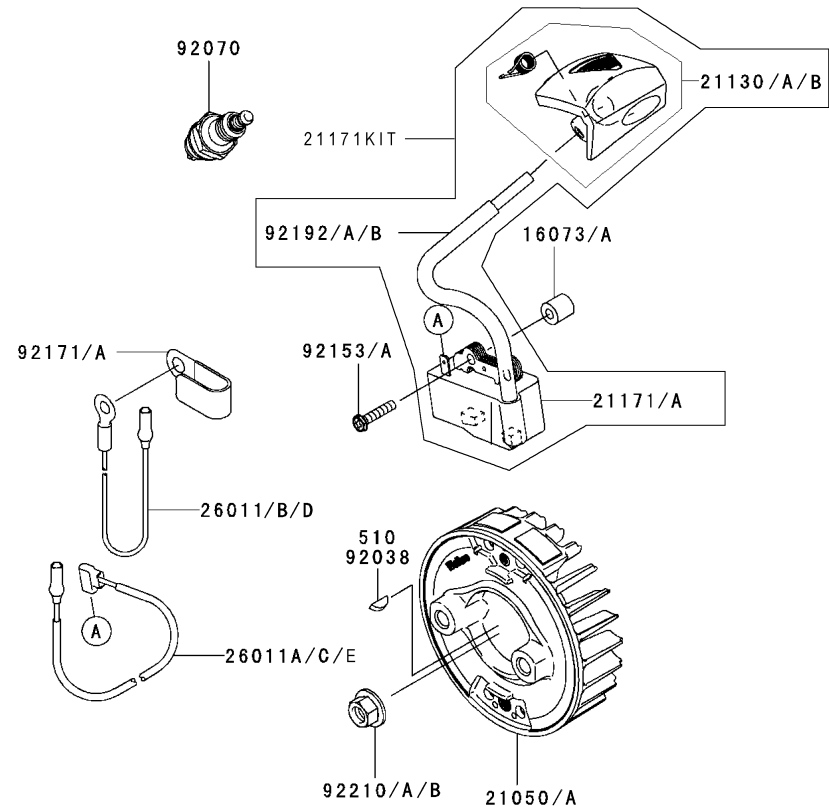


KPW3650V/KPW3650V-50

TJ035E-AF70, -BF70, -KF70, -LF70, -AF71

ELECTRIC EQUIPMENT

REF NO	PART NUMBER	DESCRIPTION	BF70	CF70	KF70	LF70	AF71
16073	TJ27018	INSULATOR	2	2			2
16073A	TJ27070	INSULATOR			2	2	
21050	TJ35016	FLYWHEEL	1	1			1
21050A	TJ35067	FLYWHEEL			1	1	
21130	TJ35017	*USE 99996-6112*	*	*			*
21130A	TJ35068	*USE 99996-6112*			*	*	
21130B	99996-6112	KIT-CAP-SPARK-PLUG&TERMINAL	1	1	1	1	1
21171	TJ35018	COIL-ASSY-IGNITION	1	1			1
21171A	TJ35069	COIL-ASSY-IGNITION			1	1	
21171KIT	TJ35069C	COIL-ASSY-IGNITION			1	1	
26011	TD18089	WIRE-LEAD L=100	1	1			1
26011A	TJ35019	* USE TJ27074A *	*	*			*
26011B	TJ27122	WIRE-LEAD			*		
26011C	TJ27074	WIRE-LEAD,L=230			*		
26011D	TJ35070	WIRE-LEAD			1	1	
26011E	TJ27074A	WIRE-LEAD-L=230	1	1	1	1	1
510	KT12025	KEY	1	1			1
92038	TJ27075	KEY			1	1	
92070	BPMR7A	SPARK PLUG-NGK	1	1	1	1	1
92153	TJ27022	BOLT 4X20	2	2			2
92153A	TJ27076	BOLT,4X20			2	2	
92171	TJ35020	CLAMP	1	1			1
92171A	TJ27123	CLAMP			1	1	
92192	TJ45032	TUBE,6X6.6X80	1	1			1
92192A	TJ27023	TUBE			1		
92192B	TJ35099	TUBE				1	
92210	TK65049	NUT	1	1			1
92210A	TJ27092	NUT, 8MM			1		
92210B	TJ27024	NUT M8				1	

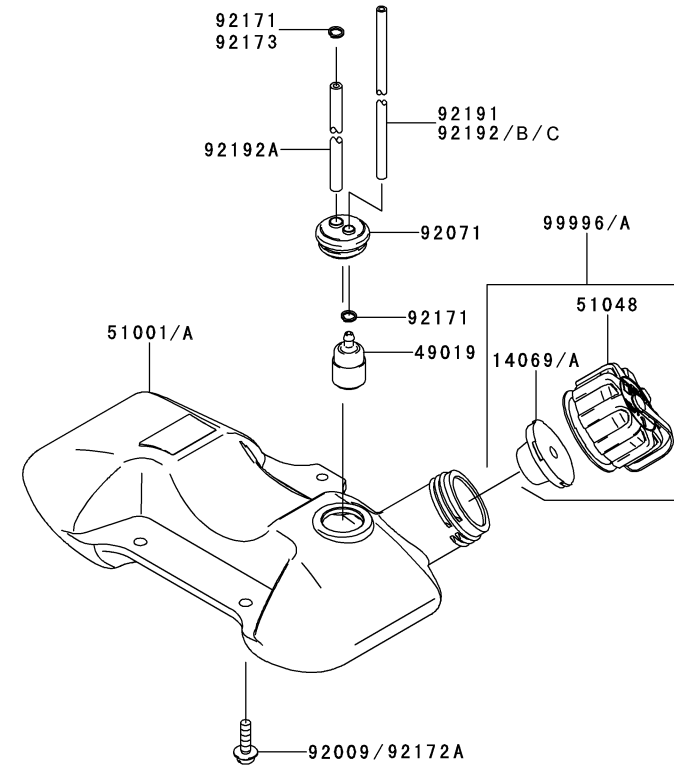


KPW3650V/KPW3650V-50

TJ035E-AF70, -BF70, -KF70, -LF70, -AF71

FUEL TANK/FUEL VALVE

REF NO	PART NUMBER	DESCRIPTION	BF70	CF70	KF70	LF70	AF71
14069	TH34065	*USE TH34065A*	*				*
14069A	TH34065A	BREATHER	1	1	1	1	1
49019	TJ27043	FILTER-FUEL	1	1	1	1	1
51001	TJ35028	TANK-COMP-FUEL	1	1	1		1
51001A	TJ35101	TANK-COMP-FUEL				1	
51048	TH34064	CAP ASSY-TANK	1	1	1	1	1
92009	TF22042	SCREW 5X20	3	3	3		3
92071	TG34042	GROMMET-FUEL TANK	1	1	1	1	1
92171	TK65043	CLAMP	2	2	1	1	2
92172A	TJ35102	SCREW-5X20					3
92173	TJ27124	CLAMP			1	1	
92191	TH34031	TUBE 3X6X182	1				1
92192	TJ27130	TUBE,3X5X174		1			
92192A	TJ35029	TUBE,3X6X90	1	1	1	1	1
92192B	TJ35045	TUBE,3X5X182			1		
92192C	TJ35103	TUBE-3X5X182				1	
99996	99996-6089	*USE 99996-6101*	*				*
99996A	99996-6101	KIT,CAP-TANK & BREATHER	1	1	1		1

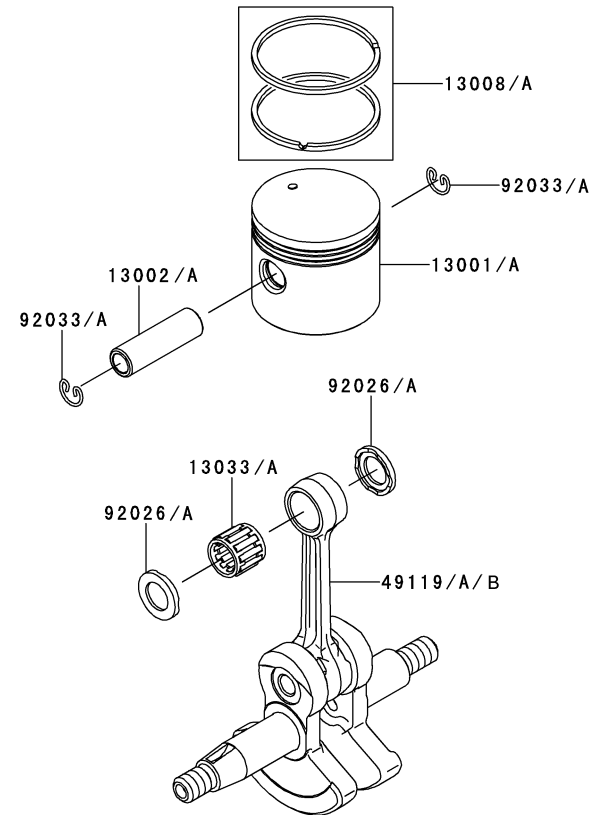


KPW3650V/KPW3650V-50

TJ035E-AF70, -BF70, -KF70, -LF70, -AF71

PISTON/CRANKSHAFT

REF NO	PART NUMBER	DESCRIPTION	BF70	CF70	KF70	LF70	AF71
13001	TJ35008	PISTON-ENGINE	1	1			1
13001A	TJ35057	PISTON-ENGINE			1	1	
13002	TJ35009	PIN-PISTON	1	1			1
13002A	TJ35058	PIN-PISTON			1	1	
13008	TD33026	PISTON RING SET	1	1			1
13008A	TJ35059	RING-SET-PISTON			1	1	
13033	TJ35010	BEARING-SMALL END	1	1			1
13033A	TJ35060	BEARING-SMALL END			1	1	
49119	TJ35011	CRANKSHAFT ASSY	1	1			1
49119A	TJ35061	CRANKSHAFT-ASSY			*		
49119B	TJ35061A	CRANKSHAFT-ASSY			1	1	
92026	TJ35012	SPACER,9X15X1.8	2	2			2
92026A	TJ35062	SPACER,12.6X15X1.8			2	2	
92033	TD33028	RING-SNAP	2	2			2
92033A	TJ35063	RING-SNAP			2	2	

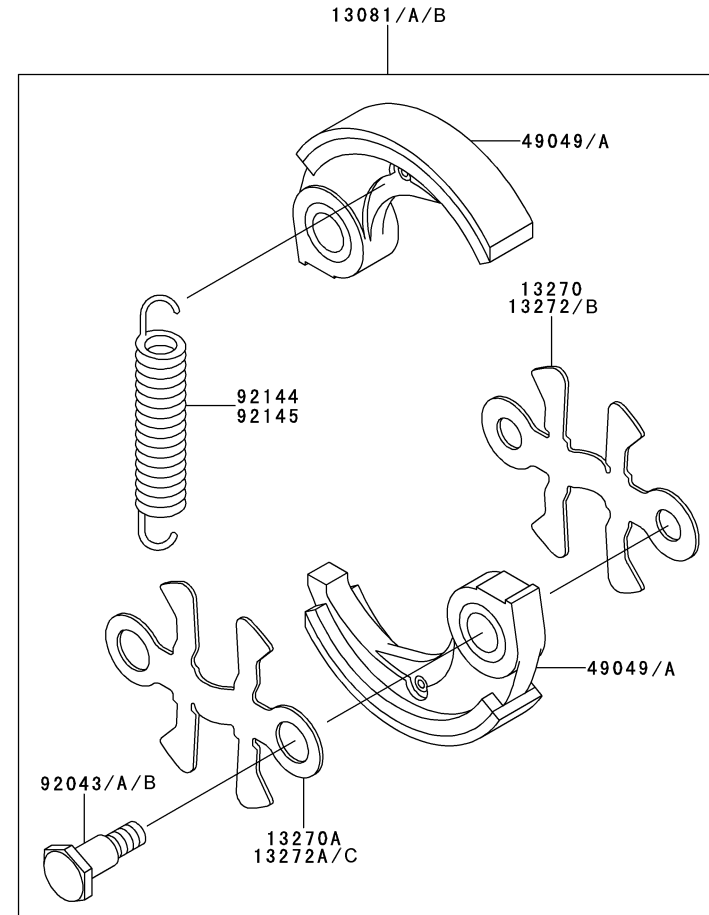


KPW3650V/KPW3650V-50

TJ035E-AF70, -BF70, -KF70, -LF70, -AF71

PTO EQUIPMENT

REF NO	PART NUMBER	DESCRIPTION	BF70	CF70	KF70	LF70	AF71
13081	TH34063	*USE TJ35046B*	*	*			*
13081A	TJ35046A	*USE TJ35046B*			*		
13081B	TJ35046B	CLUTCH-ASSY	1	1	1	1	1
13270	TH34063-2	PLATE	1	1			1
13270A	TH34063-4	PLATE	1	1			1
13272	TJ35094	*USE TJ35046-2*			*	*	
13272A	TJ35095	*USE TJ35046-4*			*	*	
13272B	TJ35046-2	PLATE			1	1	
13272C	TJ35046-4	PLATE			1	1	
49049	TH34063-1	SHOE-CLUTCH	2	2			2
49049A	TJ35096	SHOE-CLUTCH			2	2	
92043	TH34038	*USE TJ35097*	*	*			*
92043A	TJ35097	PIN,CLUTCH	2	2	2		2
92043B	TJ35097A	PIN-CLUTCH				2	
92144	TH34063-3	SPRING-CLUTCH	1	1			1
92145	TJ35098	SPRING			1	1	

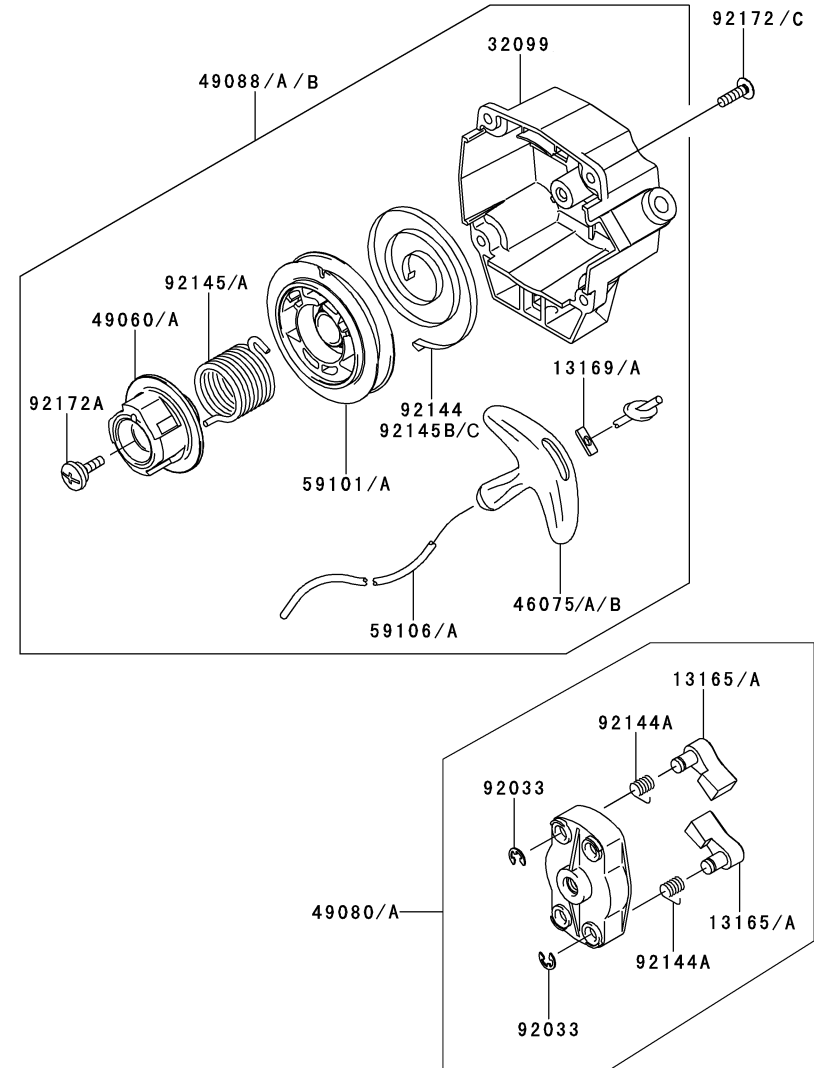


KPW3650V/KPW3650V-50

TJ035E-AF70, -BF70, -KF70, -LF70, -AF71

STARTER

REF NO	PART NUMBER	DESCRIPTION	BF70	CF70	KF70	LF70	AF71
13165	TJ35031-1	PAWL	2	2			2
13165A	TJ35084	PAWL			2	2	
13169	TD18080-07	PLATE	1	1	1	1	1
32099	TJ35030-1	CASE,STARTER-RECOIL	1	1	1	1	1
32099A	TJ35085	*USE TJ35030-1*			*		
46075	TJ27042-3	*USE TJ35030-2*			*		
46075A	TJ35030-2	GRIP-RECOIL STARTER	1	1	1		1
46075B	TJ23104	GRIP,STARTER-RECOIL				1	
49060	TJ35030-3	CAM,STARTER-RECOIL	1	1	1	1	1
49060A	TJ35086	*USE TJ35030-3*			*		
49080	TJ35031	PULLEY-STARTING	1	1			1
49080A	TJ35087	PULLEY-STARTING			1	1	
49088	TJ35030	STARTER-RECOIL	1	1			1
49088A	TJ35088	STARTER-RECOIL			*		
49088B	TJ35088A	STARTER-RECOIL			1	1	
59101	TJ35030-4	REEL,STARTER-RECOIL	1	1			1
59101A	TJ35089	REEL			1	1	
59106	KT17081-10	ROPE	1	1			1
59106A	TJ35090	ROPE			1	1	
92033	TD18084	RING-SNAP	2	2	2	2	2
92144	TF22080-07	SPRING-RECOIL	1	1			1
92144A	TG25057-10	SPRING	2	2	2	2	2
92145	TJ35030-6	SPRING	1	1	1	1	1
92145A	TJ35092	*USE TJ35030-6*			*		
92145B	TJ35093	*USE TG25057-10*			*		
92145C	TJ35091	SPRING			1	1	
92172	TH23058	SCREW 4X10	4	4	4		4
92172A	TJ27042-9	SCREW	1	1	1	1	1
92172B	TJ23315	SCREW,4X14				4	

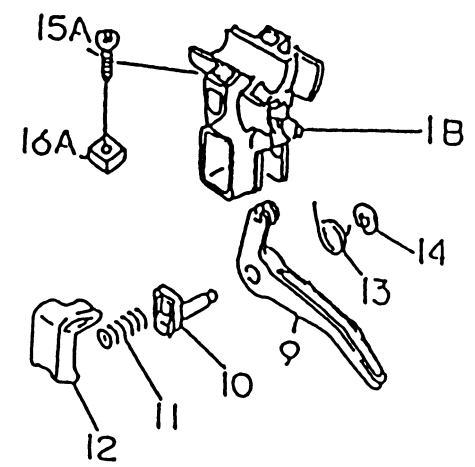
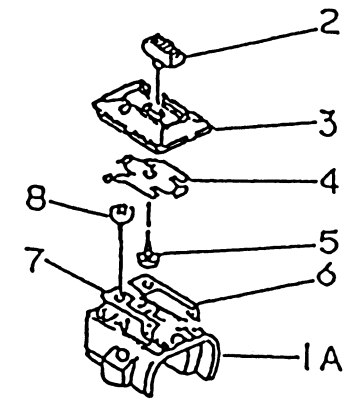


KPW3650V/KPW3650V-50

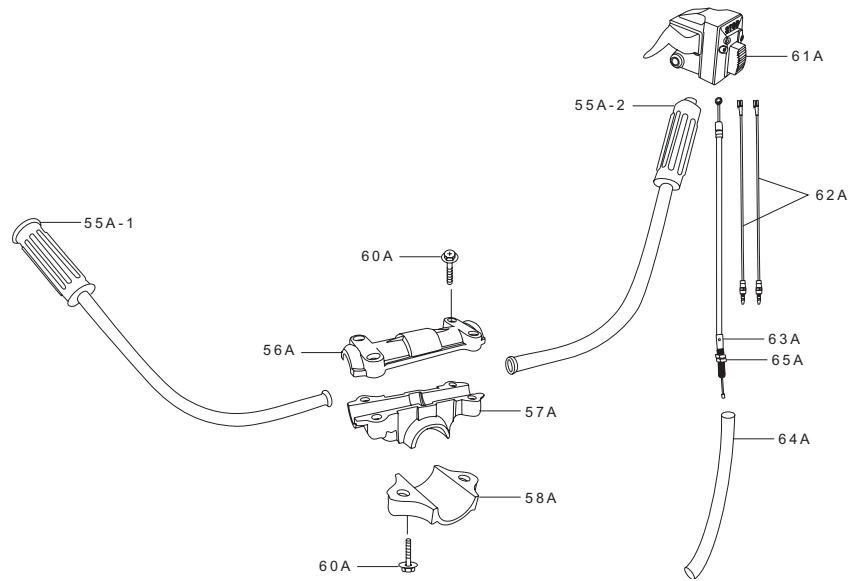
TJ035E-AF70, -BF70, -KF70, -LF70, -AF71

THROTTLE LEVER

REF NO	PART NUMBER	DESCRIPTION	QTY
01A	PW33051-01A	BODY-UPPER	1
01B	PW33051-01B	BODY-LOWER	1
02	PW24015-02	SWITCH	1
03	PW24015-03	COVER	1
04	PW24015-04	SPRING	1
05	PW24015-05	SCREW 3X8	1
06	PW24015-06	PLATE-GROUND R	1
07	PW24015-07	PLATE-GROUND L	1
08	PW24015-05	SCREW 3X8	2
09	PW24015-09	LEVER	1
10	PW24015-10	SHAFT	1
11	PW24015-11	SPRING	1
12	PW24015-12	STOPPER	1
13	PW24015-13	SPRING-RETURN	1
14	PW24015-14	E-RING	1
15A	220B0520	SCREW 5X20	2
16A	311B0500	NUT 5MM	2
	PW33050A	THROTTLE LEVER ASSY	1



KPW3650V/KPW3650V-50

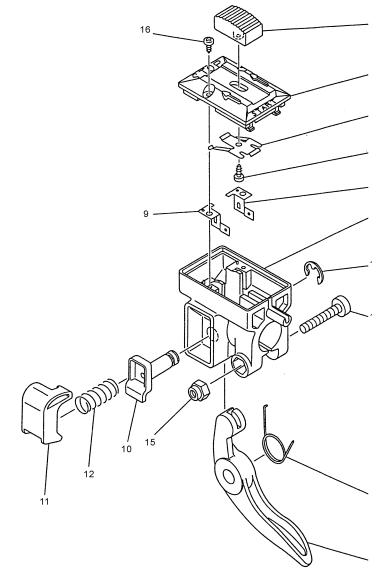


BICYCLE HANDLE KIT

REF NO	PART NUMBER	DESCRIPTION	QTY
055A-1	PW32031A	HANDLE W/GRIP	1
055A-2	PW34063	HANDLE-R W/GRIP	1
056A	PW32033	HOLDER-HANDLE #1	1
057A	PW32034	HOLDER-HANDLE #2	1
058A	PW32035	HOLDER-HANDLE #3	1
060A	B06X25W	BOLT W/WASHERS 6X25	6
061A	PW34067	THROTTLE LEVER ASSY	1
062A	PW34064	WIRE-LEAD 1MM	2
063A	KT17072	CABLE-THROTTLE	*
063A	PW36570	CABLE-THROTTLE LONG	1
064A	PW34066	COVER-LEAD WIRE	1
065A	312B0600	NUT 6MM	1

REV 200817

TJ035E-AF70, -BF70, -KF70, -LF70, -AF71



THROTTLE LEVER BICYCLE HANDLE

REF NO	PART NUMBER	DESCRIPTION	QTY
001	PW34067-01	BODY	1
002	PW34067-02	LEVER	1
003	PW24015-13	SPRING-RETURN	1
004	PW24015-03	COVER	1
005	PW24015-02	SWITCH	1
006	PW24015-04	SPRING	1
007	PW24015-05	SCREW 3X8	1
008	PW34067-03	PLATE-GROUND R	1
009	PW34067-04	PLATE-GROUND L	1
010	PW24015-10	SHAFT	1
011	PW24015-12	STOPPER	1
012	PW24015-11	SPRING	1
013	PW24015-14	E-RING	1
014	S05X25	SCREW 5X25	1
015	PW24015-16	NUT-NYLON	1
016	PW24015-05	SCREW 3X8	2
	PW34067	THROTTLE LEVER ASSY	1

KPW3650V/KPW3650V-50

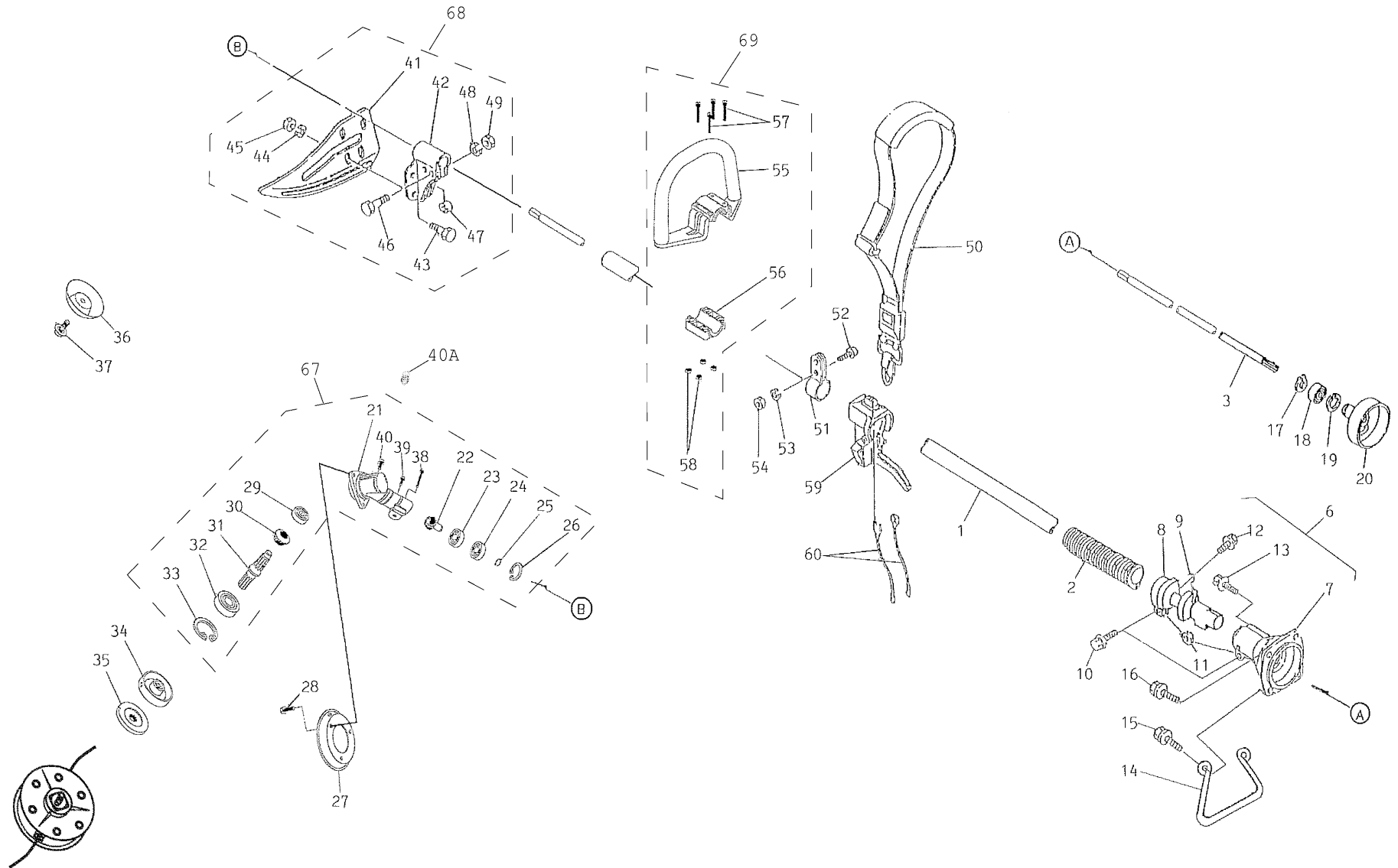
TJ035E-AF70, -BF70, -KF70, -LF70, -AF71

THIS PAGE INTENTIONALLY LEFT BLANK

KPW3650V/KPW3650V-50

TJ035E-AF70, -BF70, -KF70, -LF70, -AF71

BODY



KPW3650V/KPW3650V-50

TJ035E-AF70, -BF70, -KF70, -LF70, -AF71

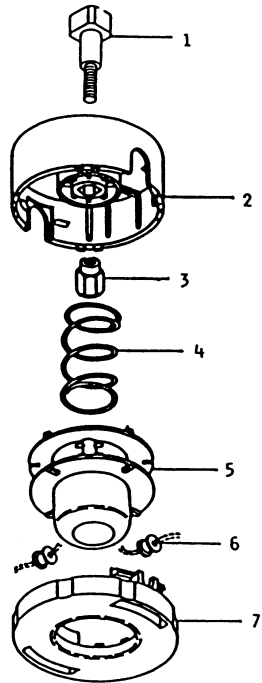
BODY

REF NO	PART NUMBER	DESCRIPTION	QTY
01	PW36501	DRIVE HOUSING ASSY (W/ BUSHINGS)	1
02	PW23016A	GRIP-DRIVE HOUSING	1
03	PW36503	DRIVE SHAFT	1
06	PW34006	CLUTCH CASE ASSY	1
07	PW34007	CASE-CLUTCH	1
08	PW34008	INNER CASE	1
09	PW34009	CUSHION-RUBBER	1
10	B06X30W	BOLT W/WASHERS 6X30	2
11	PW34011	COLLAR	2
12	B06X16W	BOLT W/WASHERS 6X16	1
13	PW34013	BOLT-STOPPER 5X14	1
14	PW34014A	STAND	1
15	B06X25W	BOLT W/WASHERS 6X25	2
16	B06X20W	BOLT W/WASHERS 6X20	2
17	PW34016	RING-SNAP	1
18	PW34017	BEARING (6203-2RU)	1
19	PW34018	RING-SNAP #40	1
20	PW34019	*USE PW34019A*	1
21	PW36521	GEAR CASE	1
22	PW36522	PINION	1
23	PW36523	BEARING-BALL-6000	1
24	PW36524	*USE PW36524A*	1
25	PW23039	RING-SNAP #10	1
26	PW23005	RING-SNAP #26	1
27	PW36527	GRASS COVER	1
28	B05X8W	BOLT W/WASHERS 5X8	3
28	PW36528	BOLT-W/ WASHER-5X8	3
29	PW34026	BEARING (NSK629)	1
30	PW36530	GEAR	1
31	PW36531	CUTTER SHAFT	1
32	PW36532	BEARING. BALL-6201UU	1
33	PW24012	RING-SNAP #32	1
34	PW36534	FIXER-BLADE-UPPER	1
35	PW36535	FIXER-BLADE-LOWER	1
36	PW36536	CUTTER BOWL	1

BODY

REF NO	PART NUMBER	DESCRIPTION	QTY
37	PW27525	CUTTER BOLT	1
38	B06X25W	BOLT W/WASHERS 6X25	1
39	B05X10W	BOLT-W/WASHERS-5x10	1
40	B06X8	BOLT-6X8	1
40A	PW27526	GREASE FITTING M6X1.0	1
41	PW23062-02	COVER-GUARD	1
42	PW23062-01	HOLDER-GUARD	1
43	B06X12	BOLT 6X12	4
44	SW006	WASHER-SPRING 6MM	4
45	HN006	NUT 6MM	4
46	B06X25	BOLT 6X25	2
47	PW23062-04	COLLAR-GUARD	2
48	SW006	WASHER-SPRING 6MM	2
49	HN006	NUT 6MM	2
50	PW23070	STRAP-SHOULDER	1
51	PW23017	SUPPORT-STRAP	1
52	S05X12	SCREW 5X12	1
53	SW005	WASHER-SPRING 5MM	1
54	311B0500	NUT 5MM	1
55	PW36555	HANDLE LOOP	1
56	PW36556	BRACKET-LOOP HANDLE	1
57	PW27509	SCREW-W/WASHERS-5X35-BLACK	4
58	PW27510	NUT 5-BLACK	4
59	PW33050A	THROTTLE LEVER ASSY	1
60	PW24016	WIRE-LEAD	2
67	PW36567	GEAR CASE-ASSY	1
68	PW23062	SAFETY GUARD ASSY	1
69	PW36569	LOOP HANDLE ASSY	1

KPW3650V/KPW3650V-50

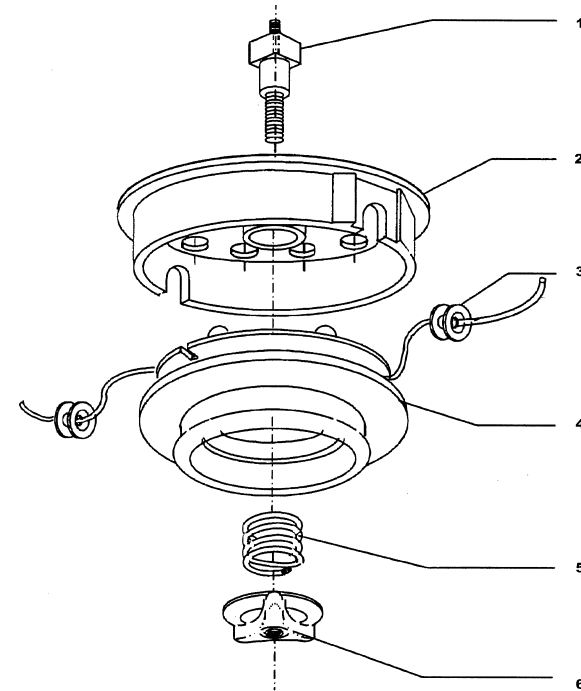


CUTTING HEAD (AUTOMATIC)

REF NO	PART NUMBER	DESCRIPTION	QTY
01	LCT001B	SHAFTBOLT-LH 8MM	1
02	LCT010A-02	HOUSING-OUTER	1
03	LCT010A-08	NUT	1
04	LCT010-05	SPRING	1
05	LCT010A-04	INNER-BUMP	1
06	LCT003	EYELET	2
07	LCT010A-03	BASE	1
	LCT010A	HEAD ASSY-TAP	1

REV 200817

TJ035E-AF70, -BF70, -KF70, -LF70, -AF71



CUTTING HEAD (MANUAL)

REF NO	PART NUMBER	DESCRIPTION	QTY
01	UN10-B1	BOLT 8X1.25 MLH	1
02	UN10-2	HOUSING	1
03	UN10-3A	EYELET	2
04	UN10-4	SPOOL	1
05	UN10-5	SPRING	1
06	UN10-6	KNOB-LH	1
	UN-10	MANUAL HEAD-UNIVERSAL	1